

# SPRAGUE<sup>®</sup>

## OPERATING MANUAL

---



# MODEL TO-6

# TEL-OHMIKE<sup>®</sup>

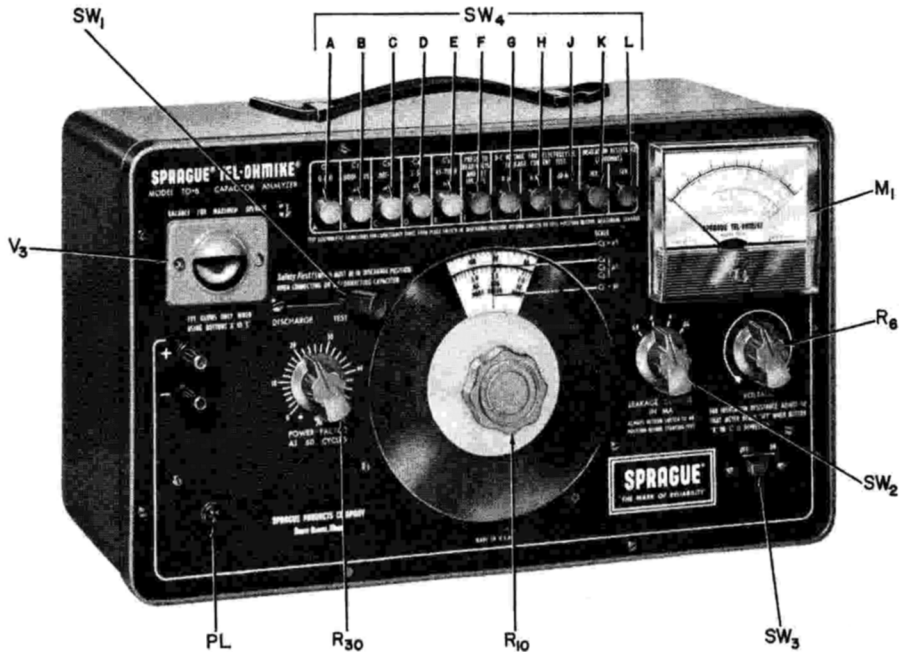
## CAPACITOR ANALYZER

---

**SPRAGUE PRODUCTS COMPANY**

**North Adams, Mass.**

**PRICE: 50 CENTS**



Copyright, © 1964 by the Sprague Products Co., North Adams, Mass.

# Operating Manual

## MODEL TO-6

### TEL-OHMIKE ANALYZER

#### 1. General Description

**1.1 Purpose and Usefulness.** Designed specifically to meet the need of television, radio and industrial electronics technicians for a compact, reliable, and simple-to-use instrument for testing capacitors, the Sprague Model TO-6 Tel-Ohmike represents the culmination of years of experience in this field. It incorporates in one instrument an accurate multi-range capacitance and power factor bridge, an insulation resistance checker for paper, plastic-film, mica, and ceramic capacitors, and a leakage current test circuit for electrolytic capacitors. Pushbuttons are provided for instant range selection and a magic-eye tube simplifies bridge balancing for capacitance measurements. A large meter gives direct pointer readings of insulation resistance and leakage current and shows the exact voltage applied to electrolytic capacitors during the leakage test.

**1.2** Six especially valuable features of the Model TO-6 Tel-Ohmike are: (1) the I-R (insulation resistance) range of  $500\text{ M}\Omega$ - $50\text{ KM}\Omega$ , (2) a special I-R range of  $100\text{ M}\Omega$ - $10\text{ KM}\Omega$  (with a 30 volt circuit for low-voltage capacitors), (3) the special low-capacitance bridge circuit for testing low-value ceramic, mica, plastic-film, and air dielectric capacitors from 1-100 pF with improved accuracy, (4) the meter protection which prevents "burn-outs" should the meter be overloaded, (5) the Safety switch for easier discharge of capacitors after test, and (6) the "eye" amplifier to provide greater reading accuracy.

**1.3 Capacitance.** In addition to the special low range mentioned above, 4 other capacitance ranges are provided for measurements up to 2000  $\mu\text{F}$ . With a TO-6 Tel-Ohmike you are prepared to test every type of capacitor from tiny ceramics or micas to paper and film capacitors of all types, as well as electrolytics—tantalum or aluminum—wet or dry—low voltage or high voltage—small capacitance or large capacitance—from small filter types to large motor-start or photoflash types.

**1.3.1 Power Factor.** The power factor of all electrolytic capacitors is indicated directly in percent on a single scale.

**1.4 Leakage Current.** A self-contained continuously adjustable d-c power supply permits measurement of electrolytic capacitor leakage current at exact rated voltage.

**1.5 Insulation Resistance.** Most paper, plastic-film, ceramic, mica, and air dielectric capacitors have their I-R measured by a circuit which applies 150 volts to the capacitor, and the I-R is indicated directly on the meter dial from  $500\text{ M}\Omega$  to  $50\text{ KM}\Omega$ . For testing low-voltage non-electrolytic capacitors, an additional range of  $100\text{ M}\Omega$  to  $10\text{ KM}\Omega$  is provided in conjunction with a circuit which applies only 30 volts to the capacitor under test.

**1.6 Line Voltage and Frequency.** The Model TO-6 Tel-Ohmike is available in four types. The standard TO-6 is intended for 115 volt, 50-60 cycle a-c lines. The TO-6RM is similar except that it is intended for mounting in standard 19" relay racks. Also available is the Model TO-6S for use on 115/230 volt, 50 cycle mains. Before using a Model TO-6S, check to see whether the link on the internal terminal plate is in the proper position for the line voltage on which the instrument will be used. A rack-mounting version, the TO-6SRM, is also available.

**1.6.1 Not For Use on Direct Current.** Under no circumstances should a Tel-Ohmike be plugged into a d-c outlet. Always use an inverter power supply (either rotary or 60-cycle vibrator type) to supply the required 35 watts of a-c.

**1.7 Physical Appearance.** The gray hammertone finish steel case, with leather carrying handle, and the dark gray panel with white markings make the Model TO-6 an instrument to attract favorable attention and command respect on every service bench. The striking contrast between the dial and the background makes for easy and error-free readings. The overall size of the standard Tel-Ohmike is  $8\frac{7}{8}$ " high by  $14\frac{5}{8}$ " wide by  $6\frac{1}{8}$ " deep.

**1.8 Weight.** The net weight of both the TO-6 and the TO-6S is 13 pounds.

**1.9 Electron Tubes.** The electron tube complement of each Tel-Ohmike consists of 1 each: 6C4, 6AB4, 6BL7, and 6E5.

**1.10 Components.** The components used in the TO-6 were chosen for suitability and dependability. Molded DiFilm® paper capacitors are used wherever practical. Ceramic trimmer capacitors and stabilized silver mica capacitors are used as low-capacitance standards, and especially impregnated insulation is used on switches where moisture absorption might be detrimental. Metal parts are treated to resist corrosion, wherever necessary. Deposited-carbon resistors are used where close-tolerance and good stability are required.

## 2. Capacitance and Power Factor

**2.1 Measurements of capacitance from 1 pF to 2000  $\mu$ F are made on a 5-range line frequency capacitance bridge. Figure 1 shows a simplified circuit diagram of the bridge employed for the  $C_1$ ,  $C_2$ , and  $C_3$  ranges. Figure 2 shows the basic bridge circuit for the  $C_4$  range and Figure 3 is the simplified circuit for the  $C_5$  range. Since the bridge is balanced on all ranges by continuously varying the ratio arm, a highly accurate, linear-taper wirewound variable resistor is used for the main bridge element. These potentiometers are especially selected to assure accurate matching of the calibrated scales over their full length. The standard capa-**

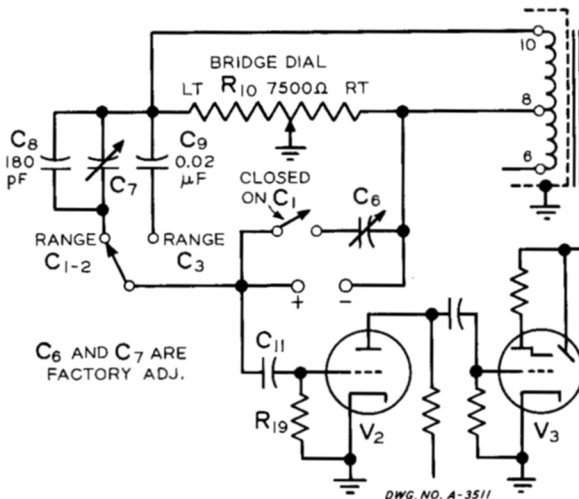


FIGURE 1

Basic Low Capacitance Bridge Circuit for Ranges  $C_1$ ,  $C_2$ , and  $C_3$ .

citors for the  $C_1$  and  $C_2$  ranges are silvered mica-capacitors paralleled by silvered ceramic trimmer capacitors which are factory adjusted to compensate for variations in the inherent wiring capacitance. The standard on the  $C_4$  and  $C_5$  range is a matched pair of molded DiFilm® paper tubulars. The bridge balance or null detector is a high sensitivity "magic-eye" 6E5 tube amplifier combination.

### 2.1.1 ACCURACY TABLE

Range $C_1$	Accuracy $\pm 2\% \pm 1$ pF over entire range		
Range	$\pm 3\%$	$\pm 5\%$	Reading Accuracy Determining Factor
$C_2$	.00015-.001		.001-.005
$C_3$	.005-.1	.001-.005	.1-.5
$C_4$	.5-10.0	.1-.5	10-50
$C_5$	50-200	45-50	200-2,000

### 2.2 Operating Procedure.

- (1) Depress the proper pushbutton as shown below:

Capacitance	Button	Read on Scale
1-100pF	A	$C_1$
.0001-.005 $\mu$ F	B	$C_2$
.001-.5 $\mu$ F	C	$C_3$
.1-50 $\mu$ F	D	$C_4$
45-2000 $\mu$ F	E	$C_5$

Note: 1 pF =  $1\mu\mu$ F, or 0.000001 $\mu$ F.

- (2) Set the a-c line switch in the lower right hand corner of the panel in the "ON" position. Set the safety switch in the "TEST" position.
- (3) Connect the capacitor under test to the + and - binding posts at the left of the panel. Small ceramic, mica, and paper tubulars should be connected directly across the terminals without using external test leads; otherwise accuracy will be impaired. Observe polarity markings when connecting electrolytics.
- (4a) Slowly rotate the main bridge dial in a clockwise direction from left to right until a shadow appears in the eye tube at the upper left. Carefully adjust the control for maximum eye opening. Read the indicated capacitance directly from the proper dial scale.
- (4b) For electrolytic capacitors, balance the bridge as in (4a). Then adjust the power factor knob for maximum eye opening. Now readjust the main dial, then the power factor knob, etc. until maximum eye opening is definitely obtained. When maximum shadow angle is reached, read the capacitance from the main dial scale and the power factor from the power factor scale. When using the TO-6 on line frequencies of 50 cycles, multiply the indicated power factor rating by 0.84.
- (4c) When it is necessary to measure capacitors without removing them from a chassis, always unsolder one lead from the circuit. Take care not to damage small micas and ceramics with too much heat. To improve the accuracy of measurements on capacitors of less than about 1000 pF under these conditions, measure the capacitance of the test leads arranged as they would

- be when connected except for connecting the test clips. Record the reading. Now connect the clips directly across the capacitor and rebalance the bridge. Deduct the test lead capacitance from this reading to get the capacitance of the unit under test.
- (4d) Capacitors which can be balanced only at the right hand (counter-clockwise) end of the scales on all ranges are open and should be discarded. Capacitors balancing only on the high (clockwise) end of the scales are short-circuited and should be discarded. Capacitors with "intermittents" will cause a marked flickering of the magic eye indicator and should be replaced.
  - (4e) The green wire at the power plug should be grounded at all times, particularly when measuring small values of capacitance.

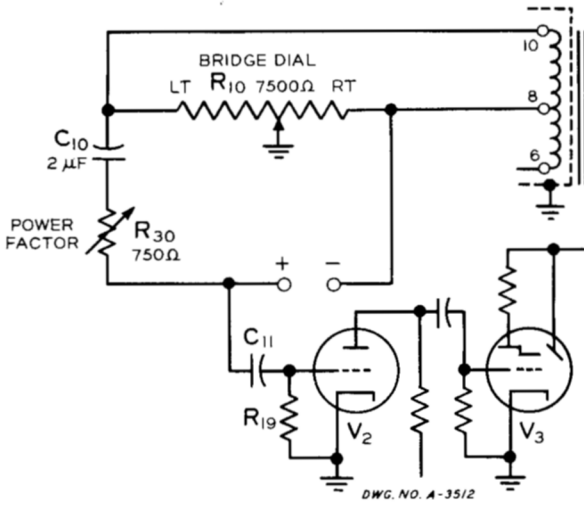


FIGURE 2

This Wien Bridge is used for measuring capacitance and power factor on Range C.

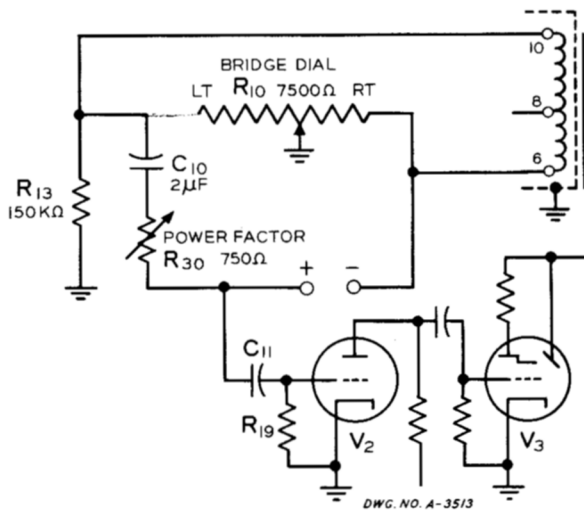


FIGURE 3

Here is how the measurement range of the Wien Bridge is extended for high capacitance electrolytics.

## 2.3 Capacitance Tolerance.

**2.3.1 D-C Dry Electrolytics.** In general, capacitors less than 75 percent of their nominal value should be replaced. In bypass capacitors there is, from the application standpoint, usually no upper limit on the capacitance above nominal. This is also true of most filter capacitors except for the "reservoir" or input capacitors in power supplies. Here the upper capacitance limit depends on the permissible current thru the rectifier tube or dry disc rectifier. New dry electrolytics for TV-radio applications usually meet the following limits:

<u>Rated Voltage</u>	<u>Percent Capacitance Tolerance</u>
3-50	-10, +250
51-350	-10, +100
351-600	-10, +50

**2.3.2 Paper Capacitors.** Standard industry tolerances for paper tubulars when not otherwise specified or color-coded are usually as follows:

<u>Capacitance (<math>\mu</math>F)</u>	<u>Tolerance (Percent)</u>
Up to .0019	-25, +60
.002 to .009	-20, +40
.01 to .09	-20, +20
.1 to 1.0	-10, +20
Above 1.0	-10, +10

From the circuit application standpoint, the capacitance tolerances on coupling capacitors are usually more critical than those on bypass and filter capacitors. In radio receivers, units within the tolerances above are generally satisfactory in both types of use. In television sets, it is best to check the manufacturers service data since very tight tolerances are necessary in some specialized circuit locations.

**2.3.3 Mica Capacitors.** Non-color-coded or marked micas are usually  $\pm 20\%$  units. Color-coded capacitors should fall within their marked tolerance.

**2.3.4 Ceramic Capacitors.** Temperature-compensating capacitors and other units using dielectric bodies with low dielectric constants are usually  $\pm 20\%$  tolerance units, unless otherwise color-coded or marked. High dielectric constant units may be of the  $\pm 20\%$  type or else of the MRC (minimum rated capacitance) or GMV (guaranteed minimum value) type. These capacitors are usually used for bypass and coupling applications and their actual capacitance varies markedly with the ambient temperature at which they are measured. The rated minimum value is applicable only at 25°C (77°F) and the actual value may be double the MRC rating. Above room temperature, capacitance may increase and then decrease, or decrease and then increase, according to the dielectric material used.

**2.3.5 A-C Motor-Starting Electrolytics.** Capacitors more than 15% below the minimum marked capacitance should be replaced as the motor-starting torque will be seriously reduced.

## 2.4 Power Factor

**2.4.1 D-C Dry Electrolytics.** The 60 cycle power factor of new capacitors will usually fall below the maximum value given below. Capacitors rated at 150 volts or higher should usually be replaced if the measured value is twice that given. Low voltage sections of multiple-section

capacitors will generally have power factor higher than that listed, sometimes by as much as 50%.

WVDC	Max. New P-F	WVDC	Max. New P-F
475	15	150	20
450	15	50	25
400	15	25	30
350	15	15	50
300	15	12	55
250	18	6	60

**2.4.2 A-C Motor Starting Electrolytics.** Capacitors with a power factor of more than 15% should be replaced.

### 3. Insulation Resistance

**3.1** The insulation resistance test is made only on electrostatic capacitors such as paper, mica, ceramic, etc. (Electrolytic capacitors are tested for leakage current as in section 4). The test circuit is shown in Figure 4. Passage of current thru the capacitor or other circuit element under test causes an increase in the negative bias on the grid of tube  $V_4$  and a consequent decrease in plate current. The plate current meter is calibrated directly in megohms.

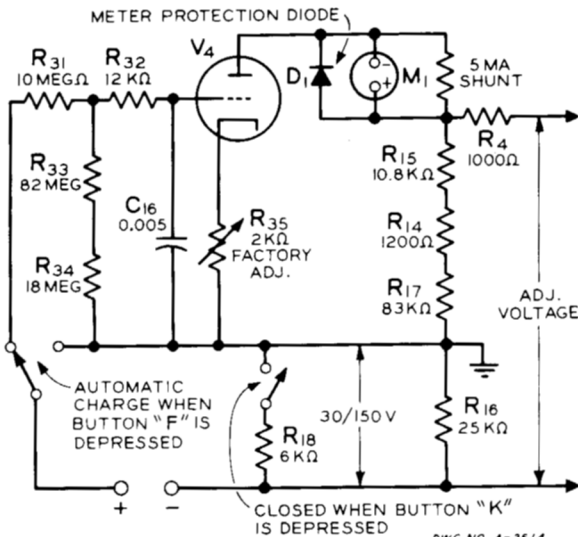


FIGURE 4

This is the insulation resistance measurement circuit with the "Automatic Charge" feature.

#### 3.2 Operating Procedure.

- (1) Depress Pushbutton K for capacitors with a d-c voltage rating between 50 and 200 volts. Depress Pushbutton L for units rated at 200 volts and higher. For capacitors rated less than 50 volts, see Paragraph 3.5.
- (2) Set the a-c line switch in the lower right hand corner of the panel to "ON". Have the safety switch in the "TEST" position. Allow 1 minute warmup time.
- (3) Connect the capacitor under test to the + and - binding posts. Depress Pushbutton F and adjust the Voltage control so that the meter reads "SET"; then release the button.
- (4) Allow the capacitor to remain connected to the TO-6 until the meter pointer no longer moves downward. The scale reading at which the pointer comes to rest indicates the Insulation



Resistance of the capacitor under test. The time required for the pointer to come to rest is proportional to the capacitance of the capacitor being tested. Wide fluctuations of the pointer indicate an intermittent capacitor which should be discarded. When using Pushbutton K, read the I-R on the lower red scale. Use the upper red scale when using Pushbutton L.

- (5) **IMPORTANT**—Place the Safety Switch in the DISCHARGE position to discharge the capacitor under test before removing it from the binding posts.

### 3.3 Test Limits.

**3.3.1 Mica Capacitors.** Standard molded micas will have an I-R when new of more than 3 KMΩ while low-loss case and silvered micas will have an I-R when new of at least 6 KMΩ.

**3.3.2 Ceramic Capacitors.** Most ceramic capacitors rated at .02 μF or less when new will have a minimum insulation resistance of 7500 MΩ.

**3.3.3 Paper Capacitors.** The minimum insulation resistance times capacitance product for paper tubular capacitors is 1000 megohm-microfarads when new except that capacitors are in no case required to have an insulation resistance of more than 5000 megohms, as per the following table. Molded tubulars will usually exceed these minimum limits by a wide margin.

<u>Capacitance</u>	<u>Minimum I-R</u>
1.0 μF.....	1000 MΩ
.5 .....	2000
.47 .....	2128
.25 .....	4000
.22 .....	4545
.15 .....	5000
.1 or smaller.....	5000

Insulation resistance measurements are very much affected by ambient temperature. An ordinary wax tubular will have an I-R at 65°C of about 5 percent of its 25°C (77°F) value. For metal-encased oil capacitors, the minimum values vary from 400 MΩ-μF (or 1200 MΩ max. req.) for castor oil, to 1500 MΩ-μF (or 4000 MΩ max. req.) for mineral oil, to 1500 MΩ-μF (or 4000 MΩ max. req.) for Aroclors, to 20,000 MΩ-μF (or 30,000 MΩ max. req.) for some designs of Vitamin Q subminiature capacitors. These values are given as a general guide and change somewhat with different manufacturers and different physical sizes of units.

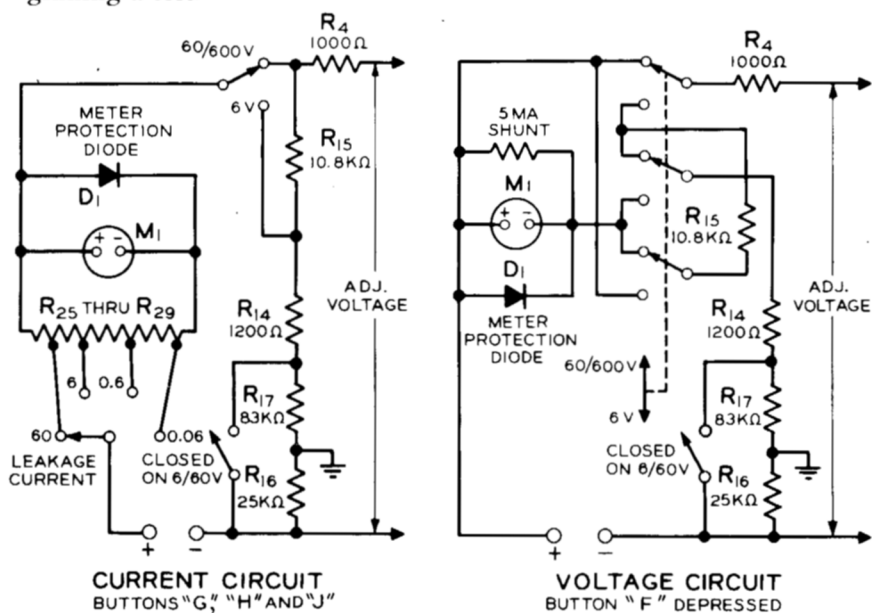
**3.4** The insulation resistance circuit may also be used in checking motor windings, high value resistors in photocell and nuclear instrument circuits, leakage between posts on terminal strips, etc.

**3.5** The insulation resistance of low voltage ceramic capacitors (under 50 volts) may best be determined by measuring the leakage current at rated voltage as outlined in paragraph 4.2. The actual value of I-R may then be computed from Ohm's Law,  $R = \frac{E}{I}$ .  $E$  is the rated d-c voltage of the capacitor,  $I$  is the measured leakage current in microamperes, and  $R$  is the insulation resistance in megohms. For example: a typical 3

volt, 1  $\mu\text{F}$  ceramic capacitor has a leakage current of 5  $\mu\text{A}$ , giving an I-R of 0.6 M $\Omega$  ( $I-R = \frac{3}{5} = 0.6$ ). A typical 3 volt, 0.1  $\mu\text{F}$  ceramic capacitor has a leakage current of 1.5  $\mu\text{A}$  ( $I-R = \frac{3}{1.5}$  or 2 M $\Omega$ ). If the leakage current is less than 1  $\mu\text{A}$  (the first division on the 0-60  $\mu\text{A}$  scale) then the I-R megohms is greater than the voltage, i.e. 0.6  $\mu\text{A}$  leakage current at 3 volts gives  $I-R = \frac{3}{0.6} = 5$  M $\Omega$ .

#### 4. Leakage Current of Electrolytic Capacitors

4.1 The test circuits shown in Figures 5 and 6 permit measurement of leakage current of electrolytic capacitors. The self-contained power supply provides any desired test voltage up to 600 volts d-c. To facilitate accurate adjustment of the lower voltages, low voltage ranges of 0-6 and 6-60 volts are provided in addition to the 600 volt max. circuit. The meter reads the actual voltage applied to the capacitor terminals since the limiting resistor (which limits the current thru short-circuited capacitors to 60 mA) is in the cathode circuit of the grid-controlled rectifier tube. The Leakage Current meter has four ranges: 0-.06 mA, 0-.6 mA, 0-6 mA, and 0-60 mA. Even though the meter is protected against burn-outs, the Leakage Current switch should be placed in the 60 position before beginning a test.



FIGURES 5 AND 6 Current and Voltage Test Circuits.

#### 4.2 Operating Procedure.

- (1) Turn voltage control to the counter-clockwise position.
- (2) Set the a-c line switch to ON. Allow 1 minute warm-up time.
- (3) Place the safety switch in the "DISCHARGE" position.
- (4) Connect capacitor to be tested across the + and - binding posts, observing proper polarity.
- (5) Depress Pushbutton G, H, or J, according to the voltage rating of the capacitor being tested.

- (6) Place the safety switch in the "TEST" position.
- (7) Depress Pushbutton F, and adjust the voltage control until the meter reads the d-c voltage rating of the capacitor under test. The scale is direct reading when using Pushbutton G (0-6 volts). Multiply the meter reading by 10 when using Pushbutton H (6-60 volts). Multiply the meter reading by 100 when using Pushbutton J (60-600 volts).
- (8) Release Pushbutton F and compute the leakage current by multiplying the reading on the 0-6 scale by 10. If the reading is less than .6, turn the Leakage Current switch to the 6 position. The meter is now direct reading. If the reading is less than .6, turn the switch to the .6 position and divide the reading by 10. If the reading is still less than .6, turn the switch to the .06 position and divide the reading by 100. *Note. The .6 position on the scale is in line with the lowest division mark on the upper red scale.*
- (9) Release whichever red button is in use and place the Safety switch in the "DISCHARGE" position before removing the capacitor from the binding posts.

**4.3** It will be noted that the voltage reading (with button H depressed) will tend to increase after a short time as the leakage current begins to decrease to a stable value. The voltage control should be retarded accordingly to prevent more than rated voltage from being applied to the capacitor. The measurement of leakage current should be made only after a stable value is reached. Capacitors which have been out of use for periods of a year or more may take as long as 30 minutes to reach a stable value of leakage current. Such capacitors usually have a high current initially and the voltage control should be retarded so that the leakage current is less than 10 milliamperes in order to prevent overheating of the capacitors internally. The voltage should be adjusted upwards until rated voltage is reached as the leakage current decreases. When rated voltage is finally reached, proceed as detailed above. If there is appreciable fluctuation in the leakage current indication, the capacitor is probably intermittent and should be discarded.

**4.4 Test Limits.** New radio-TV type electrolytics should have a maximum leakage current as shown in the following table:

3 to 100 WVDC		101 to 250 WVDC		351 to 500 WVDC		251 to 350 WVDC	
$\mu$ F	mA	$\mu$ F	mA	$\mu$ F	mA	$\mu$ F	mA
1	.31	4	.38	2	.38	4	.3
2	.32	8	.46	4	.46	8	.5
5	.35	10	.54	5	.5	10	.55
10	.4	12	.54	8	.62	12	.6
20	.5	15	.6	10	.7	15	.68
25	.55	16	.62	12	.78	16	.7
30	.6	20	.7	15	.9	20	.8
40	.7	30	.9	16	.94	30	1.05
50	.8	40	1.1	20	1.1	35	1.18
70	1.0	50	1.3	25	1.3	40	1.3
80	1.1	60	1.5	30	1.5	50	1.55
100	1.3	70	1.7	40	1.9	60	1.8
125	1.55	80	1.9	50	2.3	80	2.3
130	1.6	100	2.3	60	2.7	100	2.8
150	1.8	120	2.7	80	3.5	120	3.3
200	2.3	125	2.8	90	3.9	125	3.43
250	2.3	140	3.1	125	5.3	150	4.05
500	5.3	150	3.3			200	5.3
1000	10.	200	4.3				
1500	10.	300	6.3				
2000	10.						
3000	10.						

Maximum leakage currents not shown in above table may be derived from the following formula:

$$I = kC + 0.3$$

where  $I$  is the leakage in milliamperes  
 $k$  is a constant as follows:

$k$	WVDC
.01	3 to 100
.02	101 to 250
.025	251 to 350
.04	351 to 500

$C$  is the nominal capacitance in  $\mu\text{F}$ .

Readings should be taken 5 minutes after capacitors are placed on rated d-c working voltage. These limits may be used as a guide in judging whether capacitors should be replaced, making due allowance for the usual increase in leakage current with age and with any high ambient temperature at which measurements are made. Capacitors with a leakage current of more than 15 ma should almost always be discarded.

## 5. Miscellaneous Hints

- 5.1** The eye tube glows only when the bridge portions of the Tel-Ohmike are used (black buttons A, B, C, D, and E). It does *not* glow when measuring insulation resistance or leakage current.
- 5.2** To avoid parallax error, always read the main dial with your eye directly in front of the indicator line. Reading from an angle at the side will introduce errors.
- 5.3** For maximum accuracy of reading when there is a choice of bridge scales, always use the measurement range which will give a scale reading nearest the center of the scale arc.
- 5.4** The maximum accuracy of readings on electric indicating instruments (meters) is over the upper portion of the scale arc.
- 5.5** When making leakage current or I-R tests on a number of capacitors that have the same rating, the Safety switch may be used to avoid the need of returning the Voltage control to O each time. In such cases, place the Safety switch in the "DISCHARGE" position when connecting or disconnecting the capacitors to the binding posts. Return the Safety switch to the "TEST" position to read leakage current or I-R.
- 5.6** Return your Tel-Ohmike Registration Card within 5 days of the date of purchase in order to obtain the benefits of the Sprague warranty.
- 5.7** Always give *model* and *serial number* of your Tel-Ohmike, when corresponding concerning your instrument. You will find the serial number on the rear of the chassis below the line cord.
- 5.8** If it should ever be necessary to return your TO-6 for service or recalibration, *write for detailed shipping instructions* to your nearest authorized service depot. *You will save time and money by this procedure!* Always attach tag giving details of how instrument is malfunctioning.

## LIST OF MAINTENANCE PARTS

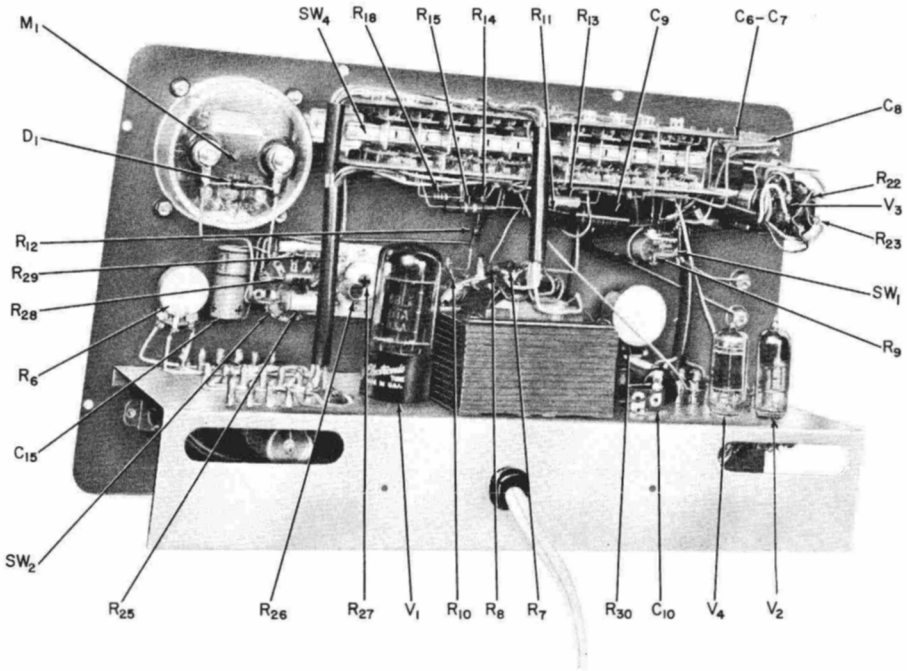
Circuit Symbol	Replacement Part No.	Description
R <sub>1</sub> } R <sub>2</sub> }	2-113	Resistor, fixed, composition, 470 K $\Omega$ $\pm$ 10%, $\frac{1}{2}$ watt.
R <sub>3</sub>	2-109	Resistor, fixed, composition, 330 K $\Omega$ $\pm$ 10%, $\frac{1}{2}$ watt.
R <sub>4</sub>	2-698	Resistor, fixed, wirewound, 1 K $\Omega$ $\pm$ 5%, 5 watts. Sprague Koolohm Type 5KT.
R <sub>5</sub>	2-1090	Resistor, fixed, composition, 270 K $\Omega$ $\pm$ 10%, 1 watt.
R <sub>6</sub>	2-1003	Resistor, continuously adjustable, composition, 500K $\Omega$ $\pm$ 20%, linear taper, $\frac{1}{4}$ watt.
R <sub>7</sub>	2-101	Resistor, fixed, composition, 150 K $\Omega$ $\pm$ 10%, $\frac{1}{2}$ watt.
R <sub>8</sub>	2-115	Resistor, fixed, composition, 560 K $\Omega$ $\pm$ 10%, $\frac{1}{2}$ watt.
R <sub>9</sub>	2-678	Resistor, fixed, wirewound, 150 $\Omega$ $\pm$ 5%, 5 watts, Sprague Koolohm Type 5KT.
R <sub>10</sub>	2-1020E	Resistor, continuously adjustable, wirewound, 7500 $\Omega$ $\pm$ 10%, linear taper, 4 watts, 300° mechanical rotation, 280° electrical rotation. Selected for agreement with calibrated dial. May have make-up resistors R <sub>11</sub> and R <sub>12</sub> .
R <sub>11</sub> } R <sub>12</sub> }		Resistor, fixed, composition. These make-up resistors are used with R <sub>10</sub> only if needed. Values may range up to 100 $\Omega$ .
R <sub>13</sub>	2-101A	Resistor, fixed, deposited carbon, 150 K $\Omega$ $\pm$ 1%, $\frac{1}{2}$ watt,
R <sub>14</sub>	2-51A	Resistor, fixed, composition, 1200 $\Omega$ $\pm$ 2%, $\frac{1}{2}$ watt. May have a resistor in series or parallel to bring to value.
R <sub>15</sub>	2-1091	Resistor, fixed, composition, 10,800 $\Omega$ $\pm$ 2%, 1 watt. May have a resistor in series or parallel to bring to value.
R <sub>16</sub>	2-331	Resistor, fixed, composition, 25 K $\Omega$ $\pm$ 2%, 2 watts, consists of two 1 watt resistors in series.
R <sub>17</sub>	2-601	Resistor, fixed, composition, 83 K $\Omega$ $\pm$ 2%, 4 watts, consists of two 2 watt resistors in parallel.
R <sub>18</sub>	2-1092	Resistor, fixed, composition, 6 K $\Omega$ $\pm$ 2%, $\frac{1}{2}$ watt. May have a resistor in series or parallel to bring to value.
R <sub>19</sub>	2-121	Resistor, fixed, composition, 1 M $\Omega$ $\pm$ 10%, $\frac{1}{2}$ watt.

## LIST OF MAINTENANCE PARTS—Continued

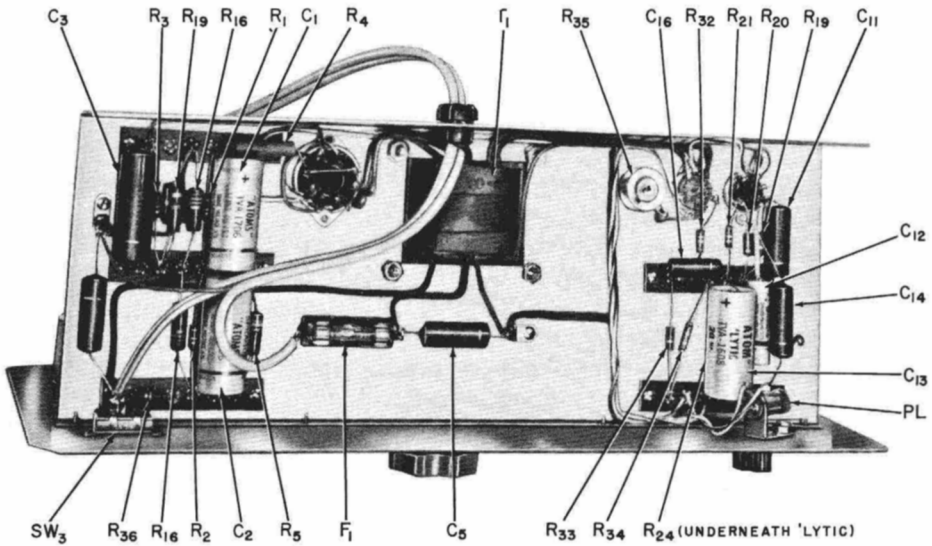
Circuit Symbol	Replacement Part No.	Description
R <sub>20</sub>	2-51	Resistor, fixed, composition, 1200 $\Omega$ $\pm$ 10%, $\frac{1}{2}$ watt.
R <sub>21</sub>	2-105	Resistor, fixed, composition, 220 K $\Omega$ $\pm$ 10%, $\frac{1}{2}$ watt.
R <sub>22</sub> } R <sub>23</sub> }	2-121	Resistor, fixed, composition, 1 M $\Omega$ $\pm$ 10%, $\frac{1}{2}$ watt.
R <sub>24</sub>	2-57	Resistor, fixed, composition, 2200 $\Omega$ $\pm$ 10%, $\frac{1}{2}$ watt.
R <sub>25</sub>	2-1093	Resistor, fixed, wirewound, 9.37 $\Omega$ $\pm$ 2%, 1 watt.
R <sub>26</sub>	2-1094	Resistor, fixed, wirewound, 84.37 $\Omega$ $\pm$ 2%, 1 watt.
R <sub>27</sub>	2-1095	Resistor, continuously adjustable, 30 $\Omega$ $\pm$ 20%, $1\frac{1}{2}$ watt, screwdriver adjustment.
R <sub>28</sub>	2-1096	Resistor, fixed, deposited carbon, 825 $\Omega$ $\pm$ 1%, 1 watt.
R <sub>29</sub>	2-1097	Resistor, fixed, deposited carbon, 8450 $\Omega$ $\pm$ 1%, $\frac{1}{2}$ watt.
R <sub>30</sub>	2-1013	Resistor, continuously adjustable, wirewound, 750 $\Omega$ $\pm$ 10%, 2 watts, linear taper, 300° mechanical rotation, 280° electrical rotation.
R <sub>31</sub>	2-145	Resistor, fixed, composition, 10 M $\Omega$ $\pm$ 10%, $\frac{1}{2}$ watt.
R <sub>32</sub>	2-75	Resistor, fixed, composition, 12 K $\Omega$ $\pm$ 10%, $\frac{1}{2}$ watt.
R <sub>33</sub>	2-167	Resistor, fixed, composition, 82 M $\Omega$ $\pm$ 10%, $\frac{1}{2}$ watt.
R <sub>34</sub>	2-151	Resistor, fixed, composition, 18 M $\Omega$ $\pm$ 10%, $\frac{1}{2}$ watt.
R <sub>35</sub>	2-1063	Resistor, continuously adjustable, 2 K $\Omega$ $\pm$ 20%, 1.5 watt, screwdriver adjustment.
R <sub>36</sub>	2-89	Resistor, fixed, composition, 47 K $\Omega$ $\pm$ 10%, $\frac{1}{2}$ watt.
C <sub>1</sub> } C <sub>2</sub> }	1-660A	Capacitor, fixed, polarized dry electrolytic, 12 $\mu$ F 450 vdc insulating jacket. Sprague TVA-1706.
C <sub>3</sub>	1-384	Capacitor, fixed, molded Difilm .1 $\mu$ F $\pm$ 10%, 600 vdc. Sprague 6TM-P1.
C <sub>4</sub> } C <sub>5</sub> }	1-382	Capacitor, fixed, .02 $\mu$ F $\pm$ 10%, 600 vdc. Sprague 6TM-S2.
C <sub>6</sub> } C <sub>7</sub> }	1-1001	Capacitor, adjustable dual trimmer, silver ceramic, 4-30 pF.

## LIST OF MAINTENANCE PARTS—Continued

Circuit Symbol	Replacement Part No.	Description
C <sub>8</sub>	1-865A	Capacitor, fixed, silver-mica, 190 pF $\pm$ 5%, 500 vdc. Sprague Type MS-319.
C <sub>9</sub>	1-202A	Capacitor, fixed, molded Difilm, .02 picked to $\pm$ 1%, 600 vdc. Sprague 6TM-S2.
C <sub>10</sub>	1-208B	Capacitor, fixed, Difilm 2 $\mu$ F, $\pm$ 1%, 200 vdc. Consists of two or three matched parallel capacitors. Sprague 161P10592.
C <sub>11</sub>	1-382	Capacitor, fixed, .02 $\mu$ F, $\pm$ 10%, 600 vdc. Sprague 6TM-S2.
C <sub>12</sub>	1-676	Capacitor, fixed, dry electrolytic, 5 $\mu$ F, 25 vdc. Sprague Type TVL.
C <sub>13</sub>	1-680	Capacitor, fixed, dry electrolytic, 20 $\mu$ F, 350 vdc. Sprague Type TVL.
C <sub>14</sub>	1-382	Capacitor, fixed, .02 $\mu$ F, $\pm$ 10%, 600 vdc. Sprague 6TM-S2.
C <sub>15</sub>	1-925	Capacitor, fixed, dry electrolytic, 50 $\mu$ F, 3 vdc. Sprague Type TVL.
C <sub>16</sub>	1-229	Capacitor, fixed, molded paper-dielectric, .005 $\mu$ F $\pm$ 20%, 400 vdc. Sprague 4 TM-D5.
D <sub>1</sub>	5-100	Meter protection diode.
F <sub>1</sub>	7-501	Fuse, cartridge, 1 amp., Type 3AG.
M <sub>1</sub>	7-27, 7-27D or 7-27H	Microammeter, 0-50 microamperes, $\pm$ 2%, special scale.
V <sub>1</sub>	5-6BL7	Tube, electron, 6BL7.
V <sub>2</sub>	5-6AB4	Tube, electron, 6AB4.
V <sub>3</sub>	5-6E5	Tube, electron, 6E5.
V <sub>4</sub>	5-6C4	Tube, electron, 6C4.
SW <sub>1</sub>	11-200	Switch, lever.
SW <sub>2</sub>	11-199	Switch, rotary, 4 position.
S <sub>3</sub>	11-76R	Switch, slide, SPST.
S <sub>4</sub>	11-58	Switch, 11 push-button.
T <sub>1</sub>	3-140	Transformer, filament, power and bridge for TO-6.
T <sub>1</sub>	3-140S	Transformer, filament, power and bridge for TO-6S.
PL	5-51	Pilot Lamp, No. 51.



VIEW FROM REAR

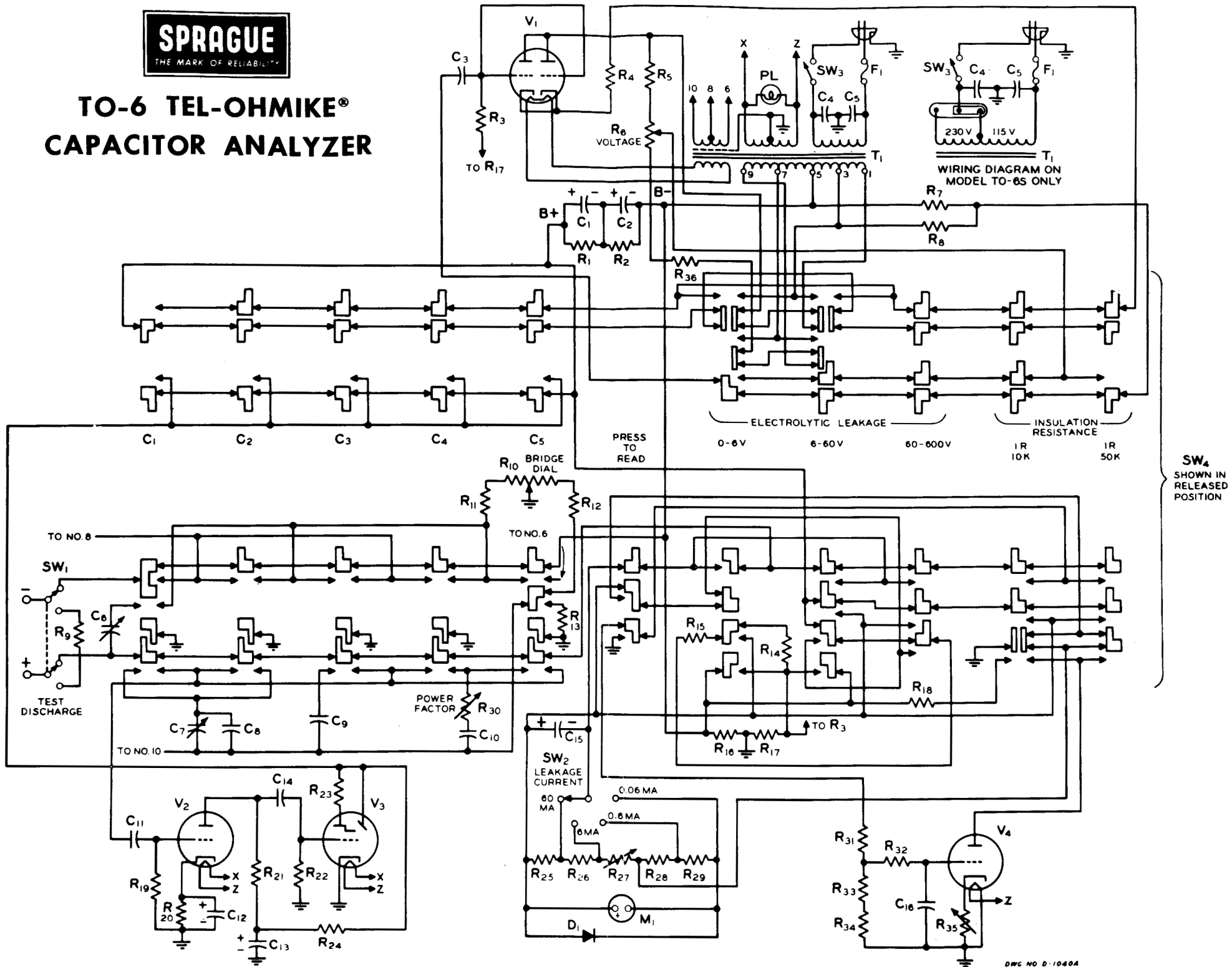


BOTTOM VIEW OF CHASSIS





# TO-6 TEL-OHMIKE® CAPACITOR ANALYZER



## **SPRAGUE TO-5 AND -6 CALIBRATION (with notes on TO-4 similarities)**

### **CAPACITANCE MEASUREMENT CALIBRATION** by DavidK

Note: Some models may have fixed or variable resistors in the R12 or R14 positions to expand the ends of the ranges. If your dial settings do not track properly, it may be helpful to add trimmers in these locations. See details below.

Caution: The TO-5 circuit uses high voltages for many of its tests. ALWAYS release all the black and red buttons before connecting or removing a capacitor. (This disables the test voltages and discharges the capacitor.)

1. Recap/repair/restore unit, check resistors where possible, verify normal operation. Be sure to install measured, precise replacements for C8 (.02 UF ) and C9 (2 UF).

2. Prepare the following 11 capacitors. As capacitor tolerances vary greatly, only measured, precise capacitors should be used. In some cases you'll need to use parallel (or series) capacitors.

Range C1-2: lower 10 PF, center 200 PF, upper .005 UF

Range C3: lower 1000 PF, center .02 UF, upper .5 UF

Range C4: lower .1 UF, center 2 UF, upper 50 UF

Range C5: lower 50 UF, center 80 UF, upper 2000 UF.

If possible, use an oscilloscope or VTVM for calibration. This will be easier and more accurate than using the eye indicator. Connect your scope or meter to chassis ground and the + terminal of the TO-5. A balanced bridge condition is indicated by lowest level (deepest AC null). Remember that with some capacitors, the Power Factor control must be adjusted to get accurate readings.

3. Start by aligning Range C3. Check dial reading with the .02 UF cap, loosening the dial setscrew and re-positioning dial for exact reading, (Perform this step very carefully, it will affect everything else.) Then, check with 1000 PF cap. The reading should be very close. If the dial reads high with the 1000 PF cap, optional trimmer R14 can compensate. (If the dial reads low, this suggests a problem in the unit.)

Next, check the upper part of the range using the .005 UF cap. The reading should be very close. If the dial reads low, optional trimmer R12 can compensate. (If the dial reads high, this suggests a problem in the unit.)

Recheck dial indications with all three capacitors.

4. Check Range 4 using the .1, 2 UF, and 50 UF caps. The readings should be very close.

5. Check Range 5 using the 50 UF, 80 UF, and 2000 UF caps. The readings should be very close. If this range is off 'across the board", improvement is possible by replacing R15 (150K) with a 200K trimmer. (R15 only affects this range.) Set the trimmer to 150K, connect the 80 UF cap, set the dial for 80 UF, and then adjust the trimmer for balanced condition. Recheck with the 50 UF and 2000 UF caps, readings should be very close.

6. Align Range C1-2. This sensitive adjustment has been saved for last, so that the unit can be "left as is" afterwards. Connect the 200 PF cap, set the dial for 200, and adjust trimmer C7 for balanced condition. (C7 only affects this range.) Check with the 10 PF and 5000 PF caps, readings should be very close. If the dial reads low with the 10 PF cap, a 1-3 PF capacitor can be soldered to the to the - / + binding posts to trim this reading. A trimmer or "gimmick" capacitor could also be used.

At this point it would be good to recheck other ranges, though none of these steps should affect any previous ones. Then - done!

-----

Note 1: R12 and R14 may have been added to the bridge pot during production. R12 would have been added to the clockwise end of the pot to expand range on the upper side of the dial, and R14 would have been added to the counter-clockwise end of the pot to expand range on the lower side. These resistors may be replaced with 100 ohm trimmers to correct range "spread" problems. To install the trimmers measure the existing resistors with an accurate ohm meter, then set the new trimmers to match the old fixed resistors. Install the R12 trimmer between the clockwise terminal of the pot and R10 (150 ohms, 2 watts) and install R14 between the counter-clockwise terminal of the pot and the wire to the switch board.

Note 2: It is advisable to add back to back protection diodes (1N4007 or similar) across the meter for overload protection.

Note 3: When using the TO-5, readings in the center of the dial will be the most accurate.

Some notes about the circuitry:

C1-2 range reference is C6 (180 PF) with C7 trimmer.

C1 range accuracy is +/-2% and +/- 1 PF

C2 range accuracy is 3%

C3 range reference is C8 (.02 UF)

C3 range accuracy is 5% from .001 to .005 and 3% from .005 to .1

With C3 range selected, R11 is inserted between the upper side of the range control and the power transformer. In all other ranges R11 is bypassed.

C4 range reference is C9 (2 UF)

C4 range accuracy is 5% from .1 to .5 and 3% from .5 to 10 UF

C5 range reference is C9 (2 UF), extended by shunt resistor R15 (150K).

R12 is an optional selected resistor on the upper side of the bridge dial, 0-100 ohms. Increasing the resistance of R12 will expand range at the upper side of the dial. (With R12 or R14 at 100 ohms, about 1/4" of "dial diameter" is added.)

R14 is an optional selected resistor on the lower side of the bridge dial. Increasing the resistance of R14 will expand range at the lower side of the dial.

### **ELECTROLYTIC LEAKAGE TEST** by Leigh

The 5 mA shunt on the TO-6 sets the current flowing through the metering resistors. The sum of the metering resistances R14, R15, R16, and R17 is 120000 ohms. If you apply 600 volts across 120K, you draw 5 mA of current. In the case of the TO-6, a small portion of the 5 mA flows through the meter, and the remainder through the 5 mA shunt.

To set the shunt, select the 600-volt range and connect a digital voltmeter to the binding posts. Depress button F and adjust the TO-6 voltage control for 600 volts on the DVM. Then adjust the shunt for a full-scale (600 volt) reading on the meter. Check the full-scale voltages on the 60- and 6-volt ranges. If they're off, check metering resistors R14 and R15 and replace any that are off value.

## **INSULATION RESISTANCE TEST CALIBRATION** by Erik

Make sure the 5mA meter shunt is correctly set before doing this (see above). Start on the higher voltage range ("L"), and adjust the meter to "Set" using the "F" button. Connect a VERY large resistor, preferably a value that is near the middle of the meter scales (several hundred megohms, potentially available from inside an old high voltage probe), to the test terminals. Adjust pot R35 to establish the correct meter reading to match the value of the resistor you're using.

Switch to "K" range and readjust the meter to "Set" while holding in "F." Potential showstopper: if your R18 is only a fixed resistor, you'll have to change it to a pot or combination fixed and pot to calibrate the "K" range. Vary the resistance of R18 to establish the correct meter reading for your resistor. Double check the "L" range, which shouldn't have been affected, and you're done.

## **NOTES ON SPRAGUE TO-4** by DavidK

Electrically the capacitance measurement circuits are nearly the same, and it looks to me as if the TO-5 procedure should work on the others.

However, the parts designations are different, which might be confusing. These are the differences that I see:

1. The C1-2 reference capacitor, C-6 (180 PF) on the TO-5 is C-3 on the TO-4 and C-8 (changed to 190 PF) on the TO-6.
2. The C3 reference capacitor (.02) is C-8 on the TO-5, C-4 on the TO-4, and C-9 on the TO-6.
3. The C4 and C5 reference capacitor (2 UF) is C-9 on the TO-5, C-5 on the TO-4, and C-10 on the TO-6.
4. The 150k shunt resistor that extends the hi UF range is R-15 on the TO-5, R-6 on the TO-4, and R-13 on the TO-6.

In addition to those noted, the procedures above also include the assistance and expertise of Chris H and Dave H (easyrider8).